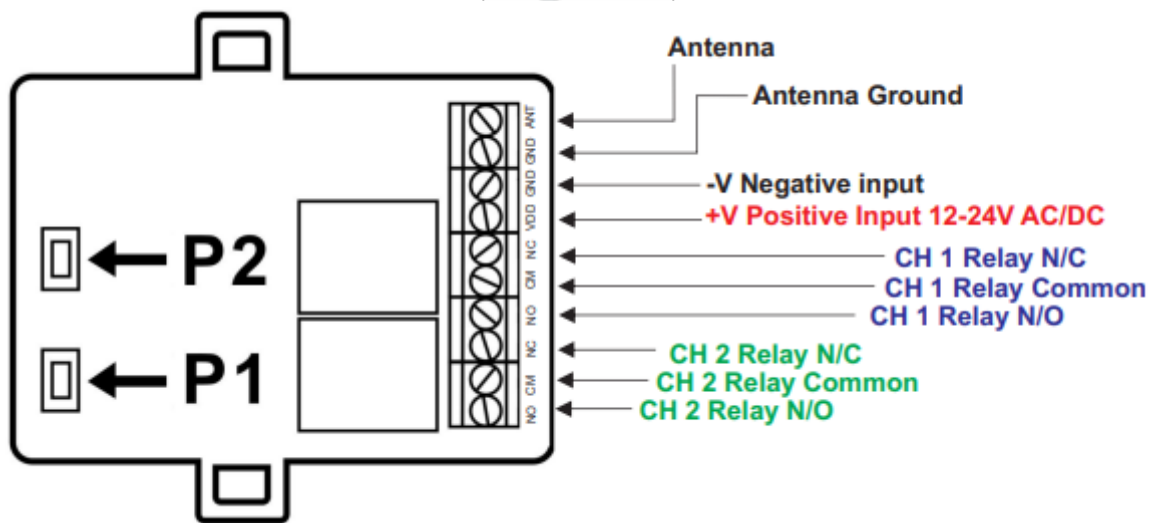


User Manual
Dual Channel Universal Receiver
(SGA-URX2)



Pairing for a Momentary Pulse
Used for garage doors, automatic gates, alarms etc.

Momentary Pulse for CH 1
1. Press P1 **ONE TIME** and wait for the **single flash** from the LED
2. Now press the button on the transmitter you wish to use for this function.
Repeat for all required transmitters.

Momentary Pulse for CH 2
1. Press P1 **TWO TIMES** and wait for the **two flashes** from the LED
2. Now press the button on the transmitter you wish to use for this function.
Repeat for all required transmitters.

Pairing for a Latching Circuit
Used for breaking sensor circuits, turning on and off a device etc.

Latching Circuit for CH 1
1. Press P1 **THREE TIMES** and wait for the **three flashes** from the LED
2. Now press the button on the transmitter you wish to use for this function.
Repeat for all required transmitters.

Latching Circuit for CH 2
1. Press P1 **FOUR TIMES** and wait for the **four flashes** from the LED
2. Now press the button on the transmitter you wish to use for this function.
Repeat for all required transmitters.

Deleting ONE specific transmitter

1. Press and HOLD P2 for 3 Seconds.
2. Upon releasing P2 the LED will turn on
3. Press the transmitter button you wish to delete
4. If followed correctly the led should flash TWICE for confirmation.

Deleting ALL transmitter

1. Press and HOLD P2 for 10 Seconds, the LED should turn ON.
2. Press the transmitter button you wish to delete
3. If followed correctly the led should flash TWICE for confirmation.

Note to all SGA-KP2W Wireless Keypad Users

The transmitter will be your Keypad in your case so you need to enter your set 4 digit access code followed by # (xxxx#)